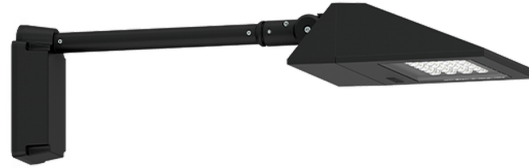


VEKTER 8 (VK-30032)



Product description

Arm mounting - Large



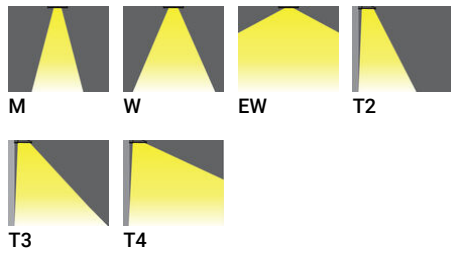
Luminaire Structure

- Die-cast aluminium housing and frame
- Pre-treated before powder coating ensuring high corrosion resistance
- Single cable entry
- Stainless steel fasteners in grade 304 with zinc flake coating (ZFC)

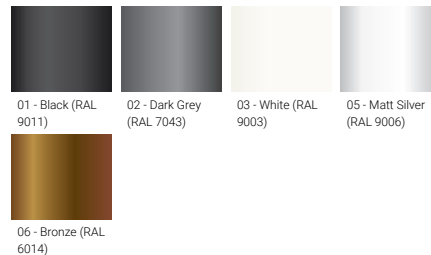
- Durable silicone rubber gasket
- Clear toughened glass
- High-efficiency PMMA lens
- Integral control gear

- Optional surface mounting box for easy wiring or conduit connection when wiring from behind is not possible

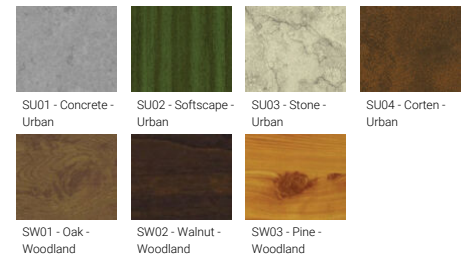
Optic



Product colour



Special finishes upon request

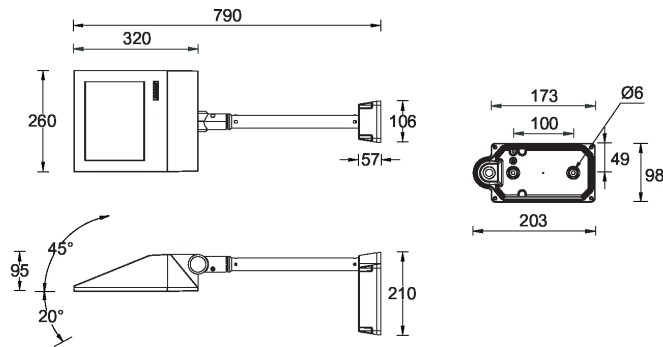


VEKTER 8 (VK-30032)

Technical information

Material	Aluminium	Optic	M, W, EW, T2, T3, T4	Weight	7.5 kg
Light source	24 LED	Optic value	32°, 52°, 108°, 140°x51°, 140°x72°, 97°x82°	Operating temperature	-20 °C to 40 °C
Power	54 W	CCT / CRI	3000K CRI80, 4000K CRI80	Through wiring	Single cable entry
Lumen	6104 - 6954 lm	Bug	B1-U0-G1, B2-U0-G0, B2-U0-G2, B3-U0-G1	Lens / Reflector / Optic	Clear toughened glass, High-efficiency PMMA lens
Efficacy	113 - 129 lm/W	ULOR	0%	MacAdam Ellipse	3 SDCM
Driver option	Integral control gear	CIE flux code n°3	97%, 98%, 99%	Lifetime L90B10 (hours)	> 90,000
Driver	Constant current (CC)	Dimming type	On/Off	Lifetime L80B10 (hours)	> 90,000
Input voltage	220-240 V 50/60 Hz		Black, Dark Grey, White, Matt Silver, Bronze, Concrete - Urban, Softscape - Urban, Stone - Urban, Corten - Urban, Oak - Woodland, Walnut - Woodland, Pine - Woodland	Lifetime L80B50 (hours)	> 90,000

VK-30032



Accessories



Surface mounting box for easy cabling (VEKTER 8)

SCE-VEKTER-8