

VEKTER 10 (VK-30042) (Version 2)



Product description

Mounting box - Large



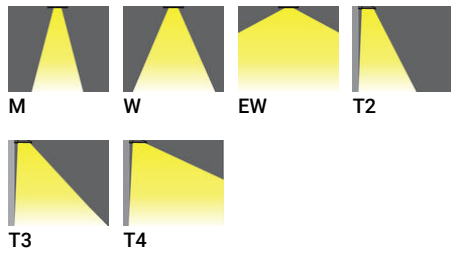
Luminaire Structure

- Die-cast aluminium housing and frame
- Pre-treated before powder coating ensuring high corrosion resistance
- Two cable entries for through wiring
- Stainless steel fasteners in grade 304 with zinc flake coating (ZFC)

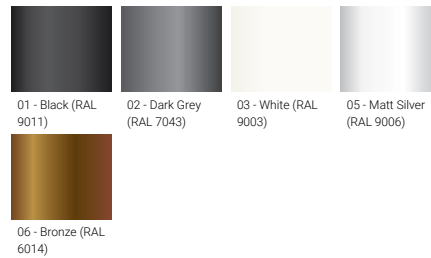
- Durable silicone rubber gasket
- Clear toughened glass
- High-efficiency PMMA lens
- Integral control gear

- Optional surface mounting box for easy wiring or conduit connection when wiring from behind is not possible

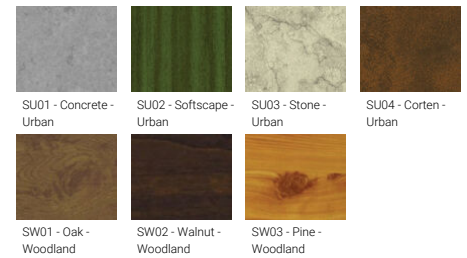
Optic



Product colour



Special finishes upon request

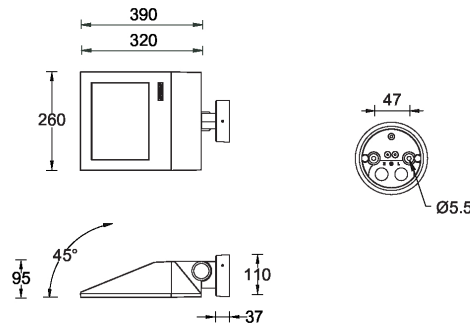


VEKTER 10 (VK-30042) (Version 2)

Technical information

Material	Aluminium	Optic value	32°, 52°, 108°, 140°x51°, 140°x72°, 97°x82°	Operating temperature	-20 °C to 40 °C
Light source	24 LED	CCT / CRI	3000K, 4000K	Through wiring	Two cable entries for through wiring
Power	54 W	Bug	B1-U0-G0, B1-U0-G1, B2-U0-G0, B3-U0-G0	Lens / Reflector / Optic	Clear toughened glass, High-efficiency PMMA lens
Lumen	6104 - 6954 lm	ULR	0%	MacAdam Ellipse	3 SDCM
Efficacy	113 - 129 lm/W	ULOR	0%	Lifetime L90B10 (hours)	> 90,000
Driver option	Integral control gear	CIE flux code n°3	97, 99	Lifetime L80B10 (hours)	> 90,000
Driver	Constant current (CC)	Dimming type	On/Off, DALI	Lifetime L80B50 (hours)	> 90,000
Input voltage	220-240 V 50/60 Hz	Product colours	Black, Dark Grey, White, Matt Silver, Bronze, Concrete - Urban, Softscape - Urban, Stone - Urban, Corten - Urban, Oak - Woodland, Walnut - Woodland, Pine - Woodland	Variants (On/Off, DALI)	Compatible with EN/ IEC 60598-2-22: Suitable for emergency installations as central supply, non-maintained (Z0)
Optic	M, W, EW, T2, T3, T4		Weight	6.6 kg	

VK-30042



Accessories



Surface mounting box for easy cabling (VEKTER 10)
SCE-VEKTER-10