

VEKTER 26 (VK-90052)



Product description

2 sides - Supplied with specific 4 m square, straight aluminium pole: APC240102-VK



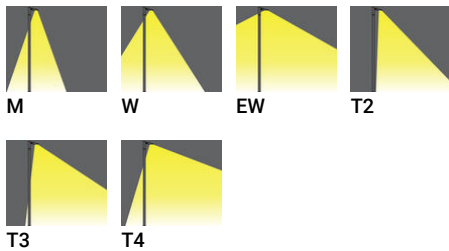
Luminaire Structure

- Die-cast aluminium housing
- Pre-treated before powder coating ensuring high corrosion resistance
- Single cable entry
- One cable gland supplied with 0.5 m of 3x1.0 sqmm outdoor cable

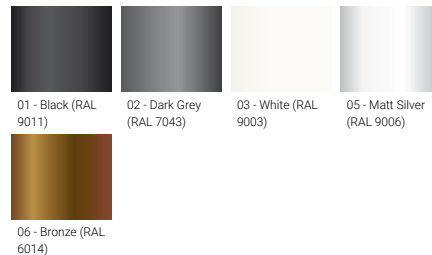
- Stainless steel fasteners in grade 304 with zinc flake coating (ZFC)
- Durable silicone rubber gasket
- Clear toughened glass
- High-efficiency PMMA lens

- Integral control gear
- Maximum wind load resistance is 140 km/h
- Surge protection 10kV

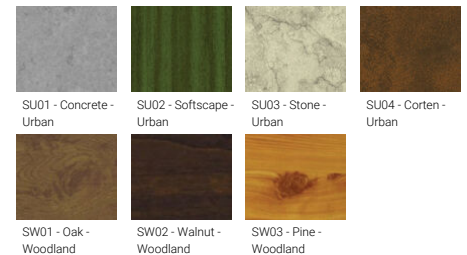
Optic



Product colour



Special finishes upon request



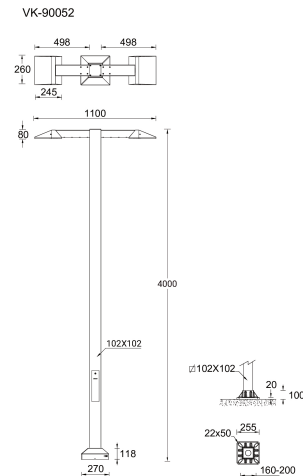
VEKTER 26 (VK-90052)

Technical information

Material	Aluminium
Light source	2 x 12 LED
Power	56 W
Lumen	5746 - 6660 lm
Efficacy	103 - 119 lm/W
Driver option	Integral control gear
Driver	Constant current (CC)
Input voltage	220-240 V 50/60 Hz
Optic	M, W, EW, T2, T3, T4

Optic value	31°, 53°, 119°, 144°x50°, 139°x68°, 97°x77°
CCT / CRI	3000K CRI80, 4000K CRI80
Bug	B1-U0-G0, B1-U0-G1, B2-U0-G0, B3-U0-G0
ULR	0%
ULOR	0%
CIE flux code n°3	97, 99
Dimming type	On/Off, DALI
Product colours	Black, Dark Grey, White, Matt Silver, Bronze, Concrete - Urban, Softscape - Urban, Stone - Urban, Corten - Urban, Oak - Woodland, Walnut - Woodland, Pine - Woodland
Weight	18 kg

Operating temperature	-20 °C to 40 °C
Cable	One cable gland supplied with 0.5 m of 3x1.0 sqmm outdoor cable
Through wiring	Single cable entry
Lens / Reflector / Optic	Clear toughened glass, High-efficiency PMMA lens
MacAdam Ellipse	3 SDCM
Lifetime L90B10 (hours)	> 90,000
Lifetime L80B10 (hours)	> 90,000
Lifetime L80B50 (hours)	> 90,000
Variants (On/Off, DALI)	Compatible with EN/ IEC 60598-2-22: Suitable for emergency installations as central supply, non-maintained (ZO)



Accessories



Root mount kit
A20491



Circuit breaker box IP44
A21291



4 m - Square, straight aluminium pole for VEKTER
APC240102-VK



DALI Control System
Control-DALI