

**LIGHT LINEAR VT 3 (VT-20011)**



**Product description**

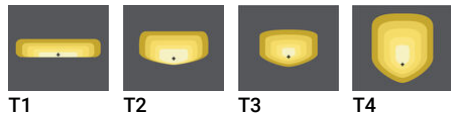
2 sides - Supplied with specific square, straight aluminium pole - Height options: 3 - 6 m



**Luminaire Structure**

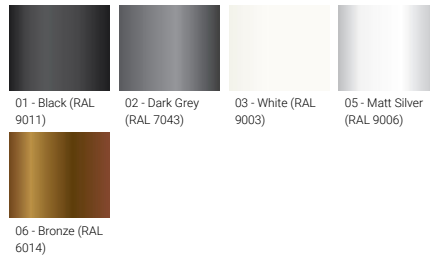
- Die-cast aluminium housing
- Extruded aluminium column
- Pre-treated before powder coating ensuring high corrosion resistance
- Single cable entry
- One cable gland supplied with 1 m of 3x1.0 sqmm outdoor cable
- Stainless steel fasteners in grade 304 with zinc flake coating (ZFC)
- Durable silicone rubber gasket
- Clear toughened glass
- High-efficiency PMMA lens
- Integral control gear
- Maximum wind load resistance is 120 km/h
- Surge protection 10kV

**Optic**



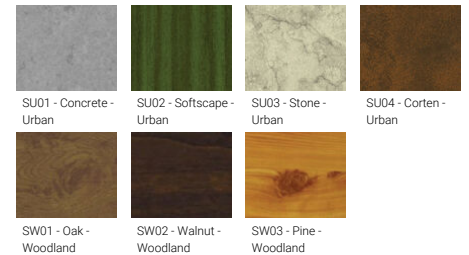
T1 T2 T3 T4

**Product colour**



01 - Black (RAL 9011)    02 - Dark Grey (RAL 7043)    03 - White (RAL 9003)    05 - Matt Silver (RAL 9006)  
06 - Bronze (RAL 6014)

**Special finishes upon request**



SU01 - Concrete - Urban    SU02 - Softscape - Urban    SU03 - Stone - Urban    SU04 - Corten - Urban  
SW01 - Oak - Woodland    SW02 - Walnut - Woodland    SW03 - Pine - Woodland

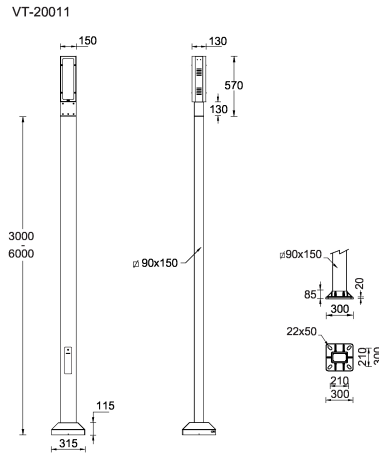
**LIGHT LINEAR VT 3 (VT-20011)**

**Technical information**

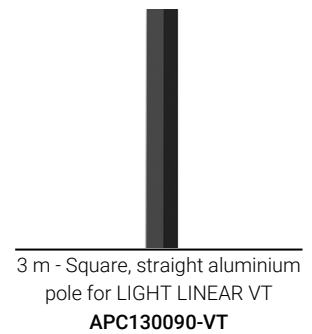
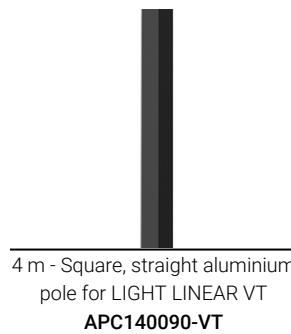
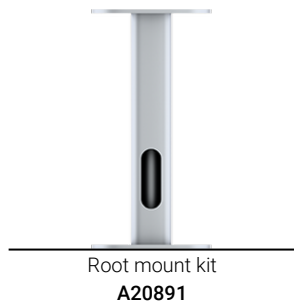
|                      |                       |
|----------------------|-----------------------|
| <b>Material</b>      | Aluminium             |
| <b>Light source</b>  | 2 x 24 LED            |
| <b>Power</b>         | 110 W                 |
| <b>Lumen</b>         | 4328 - 6727 lm        |
| <b>Efficacy</b>      | 39 - 61 lm/W          |
| <b>Driver option</b> | Integral control gear |
| <b>Driver</b>        | Constant current (CC) |
| <b>Input voltage</b> | 220-240 V 50/60 Hz    |
| <b>Optic</b>         | T1, T2, T3, T4        |

|                          |                                                                                                                                                                      |
|--------------------------|----------------------------------------------------------------------------------------------------------------------------------------------------------------------|
| <b>Optic value</b>       | 105°x131°, 127°x137°, 99°x174°, 45°x111°                                                                                                                             |
| <b>CCT / CRI</b>         | 3000K CRI80, 4000K CRI80                                                                                                                                             |
| <b>Bug</b>               | B3-U3-G3, B3-U3-G4, B3-U4-G4                                                                                                                                         |
| <b>ULR</b>               | 4%, 5%, 6%, 9%                                                                                                                                                       |
| <b>ULOR</b>              | 4%, 5%, 6%, 9%                                                                                                                                                       |
| <b>CIE flux code n°3</b> | 72, 80, 82, 83                                                                                                                                                       |
| <b>Dimming type</b>      | On/Off, 1-10V, DALI                                                                                                                                                  |
| <b>Product colours</b>   | Black, Dark Grey, White, Matt Silver, Bronze, Concrete - Urban, Softscape - Urban, Stone - Urban, Corten - Urban, Oak - Woodland, Walnut - Woodland, Pine - Woodland |
| <b>Weight</b>            | 30.0 kg.                                                                                                                                                             |

|                                       |                                                                                                                 |
|---------------------------------------|-----------------------------------------------------------------------------------------------------------------|
| <b>Operating temperature</b>          | -20 °C to 50 °C                                                                                                 |
| <b>Cable</b>                          | One cable gland supplied with 1 m of 3x1.0 sqmm outdoor cable                                                   |
| <b>Through wiring</b>                 | Single cable entry                                                                                              |
| <b>Lens / Reflector / Optic</b>       | Clear toughened glass, High-efficiency PMMA lens                                                                |
| <b>MacAdam Ellipse</b>                | 3 SDCM                                                                                                          |
| <b>Lifetime L90B10 (hours)</b>        | > 90,000                                                                                                        |
| <b>Lifetime L80B10 (hours)</b>        | > 90,000                                                                                                        |
| <b>Lifetime L80B50 (hours)</b>        | > 90,000                                                                                                        |
| <b>Variants (On/Off, 1-10V, DALI)</b> | Compatible with EN/ IEC 60598-2-22: Suitable for emergency installations as central supply, non-maintained (Z0) |



**Accessories**



**LIGHT LINEAR VT 3** (VT-20011)

---

Internal cable support for pole 3  
m  
**A23991**

---



---

Internal cable support for pole 4  
m  
**A24091**

---



---

Internal cable support for pole 5  
m  
**A24191**

---



---

Internal cable support for pole 6  
m  
**A24291**

---



DALI Control System  
**Control-DALI**

---