

ZAAB 2 (ZA-50011) (Version 2)



Product description

With mounting box

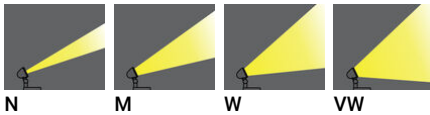


microPrim™

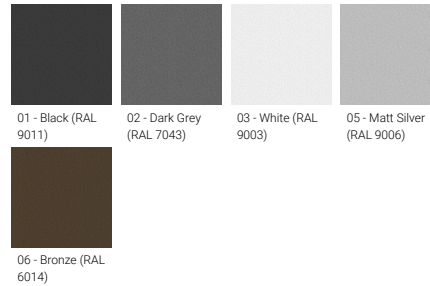
Luminaire Structure

- Die-cast aluminium housing
- Pre-treated before powder coating ensuring high corrosion resistance
- Single cable entry, through wiring upon request
- Stainless steel fasteners in grade 304 with zinc flake coating (ZFC)
- Durable silicone rubber gasket
- High-efficiency optical reflector
- Clear toughened glass
- Integral control gear

Optic



Product colour



Special finishes upon request



ZAAB 2 (ZA-50011) (Version 2)

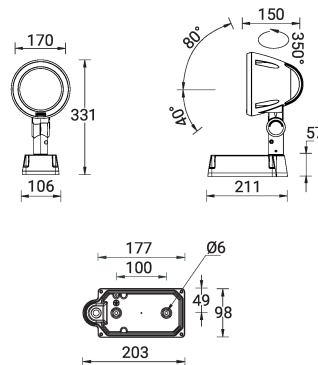
Technical information

Material	Aluminium
Light source	1 COB
Power	40 W
Lumen	4194 - 5014 lm
Efficacy	105 - 125 lm/W
Driver option	Integral control gear
Driver	Constant current (CC)
Input voltage	220-240 V 50/60 Hz
Optic	N, M, W, VW

Optic value	16°, 26°, 42°, 65°
CCT / CRI	3000K CRI80, 4000K CRI80
Bug	B3-U0-G0, B3-U0-G1
ULR	<1%
ULOR	<1%
CIE flux code n°3	100
Dimming type	On/Off
Product colours	Black, Dark Grey, White, Matt Silver, Bronze, Concrete - Urban, Softscape - Urban, Stone - Urban, Corten - Urban, Oak - Woodland, Walnut - Woodland, Pine - Woodland
Weight	3.7 kg

Operating temperature	-20 °C to 40 °C
EPA (m2)	0.044
Through wiring	Single cable entry, through wiring upon request
Lens / Reflector / Optic	High-efficiency optical reflector, Clear toughened glass
MacAdam Ellipse	3 SDCM
Lifetime L90B10 (hours)	> 50,700
Lifetime L80B10 (hours)	> 63,500
Lifetime L80B50 (hours)	> 63,500

ZA-50011



Accessory



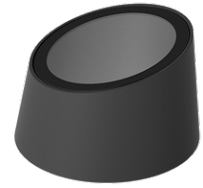
Anti-glare visor
A52631



Anti-glare louvre
A51721



Linear spread lens
A51014



Shoot
A54231

Please contact the factory for technical details if you wish to use Anti-glare accessories, Colour filters, Lenses and slip glasses in combination.